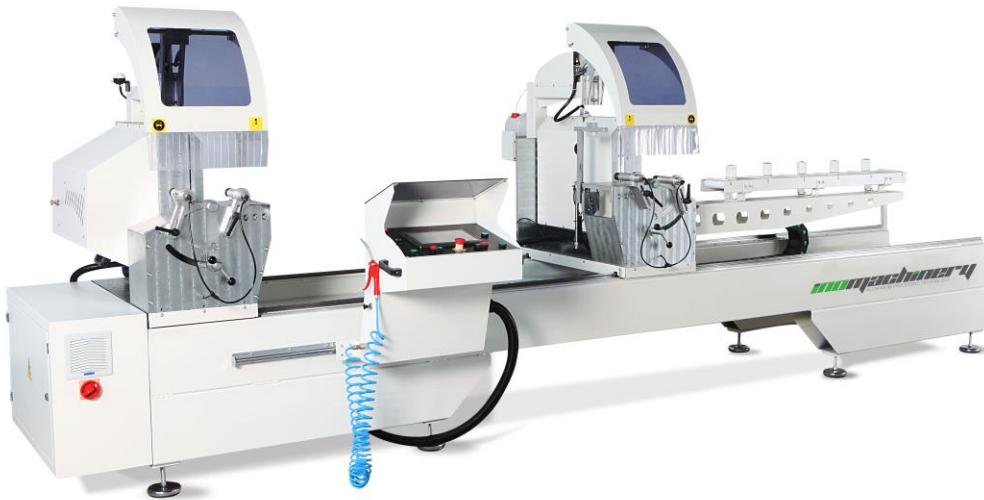


ino Machinery – AS 420 – Double Mitre Saw



Description:

- Double Mitre Saw customized for ALU profiles cutting in various length and degrees.
- Cutting sawblade diameter: 500 mm.
- Cutting length is 4.000 mm. and with the software support it is possible up to 7.995 mm.
- Cutting degrees 45° inwards and 90° are automatic through pneumatic cylinder and all the rest in between degrees are adjusted manually by the operator.
- Roller conveyor connected to the movable head for supporting the profile.
- The movable profile support carried manually by the operator.
- Motor power: 3.0 kW / 2.800 rpm. / 400 V
- N° 2 cutting unit guard pneumatically controlled
- Minimum cutting size both heads at 45 degrees: 450 mm.
- Pneumatic short piece cutting stopper for cutting profiles down to 250 mm.
- Air consumption: 25 NI/min. in 6.5 bars.

Electrical Features:

- Second head moving with servo motor and reducer on linear guides and crack mill via pinion.
- Colored cables inside the electric box.
- Sliding control panel board.
- Machine is controlled by a PLC and 10.2" Touch Panel HMI controller.



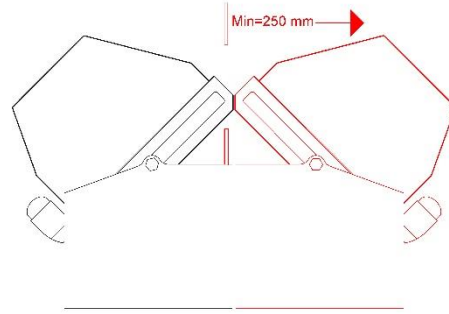
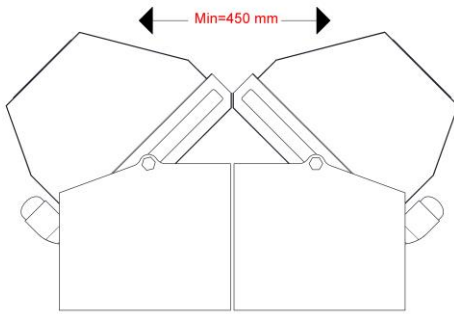
Standard Accessories:

- N° 2 carbide blade \varnothing 500 mm with hardmetal inserts for aluminium and PVC
- Horizontal pneumatic clamps 2 for each head. In total 4 pieces.
- Extraction outlets, outside \varnothing 80 mm
- Air-gun complete with hose
- User's and maintenance manual and spare parts catalogue
- Service keys

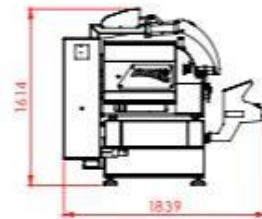
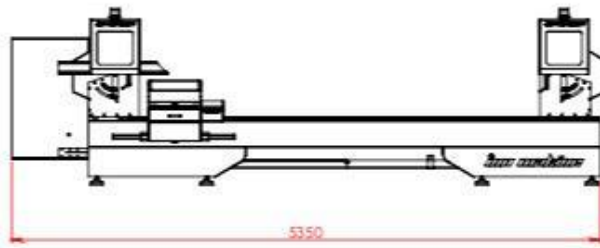
Optional Accessories:

- Data transfer from window production software via USB or LAN cable.
- Label printer.
- Vertical clamps 1 for each head. In total 2 pieces.
- Dust Extractor and the piping accessories.

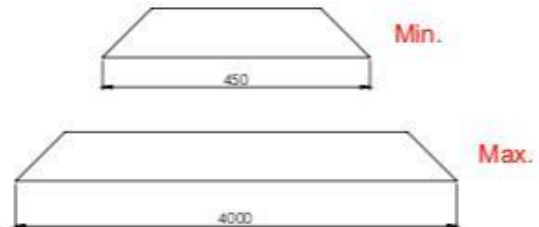
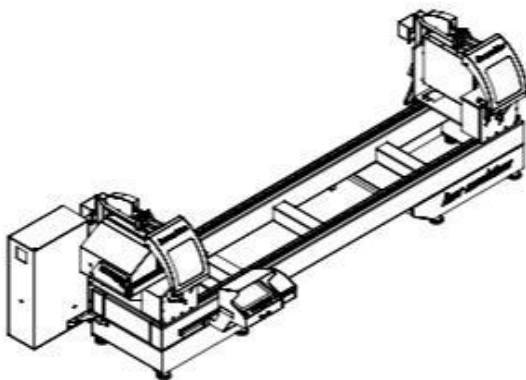
MINIMUM CUT WITH BOTH HEADS TILTED 45° INWARDS AND WITH THE SHORT PIECE STOPPER:



MACHINE DIMENTIONS:



1800 KG



CUTTING DIAGRAM:

